

The logo for LINKMAN ENGINEERING is rendered in a 3D, metallic gold font. The word "LINKMAN" is on the top line, and "ENGINEERING" is on the bottom line. To the left of the text is a stylized graphic element consisting of several horizontal and vertical lines of varying lengths, resembling a circuit board or a structural frame. The entire logo is set against a dark, textured background that looks like asphalt or gravel.

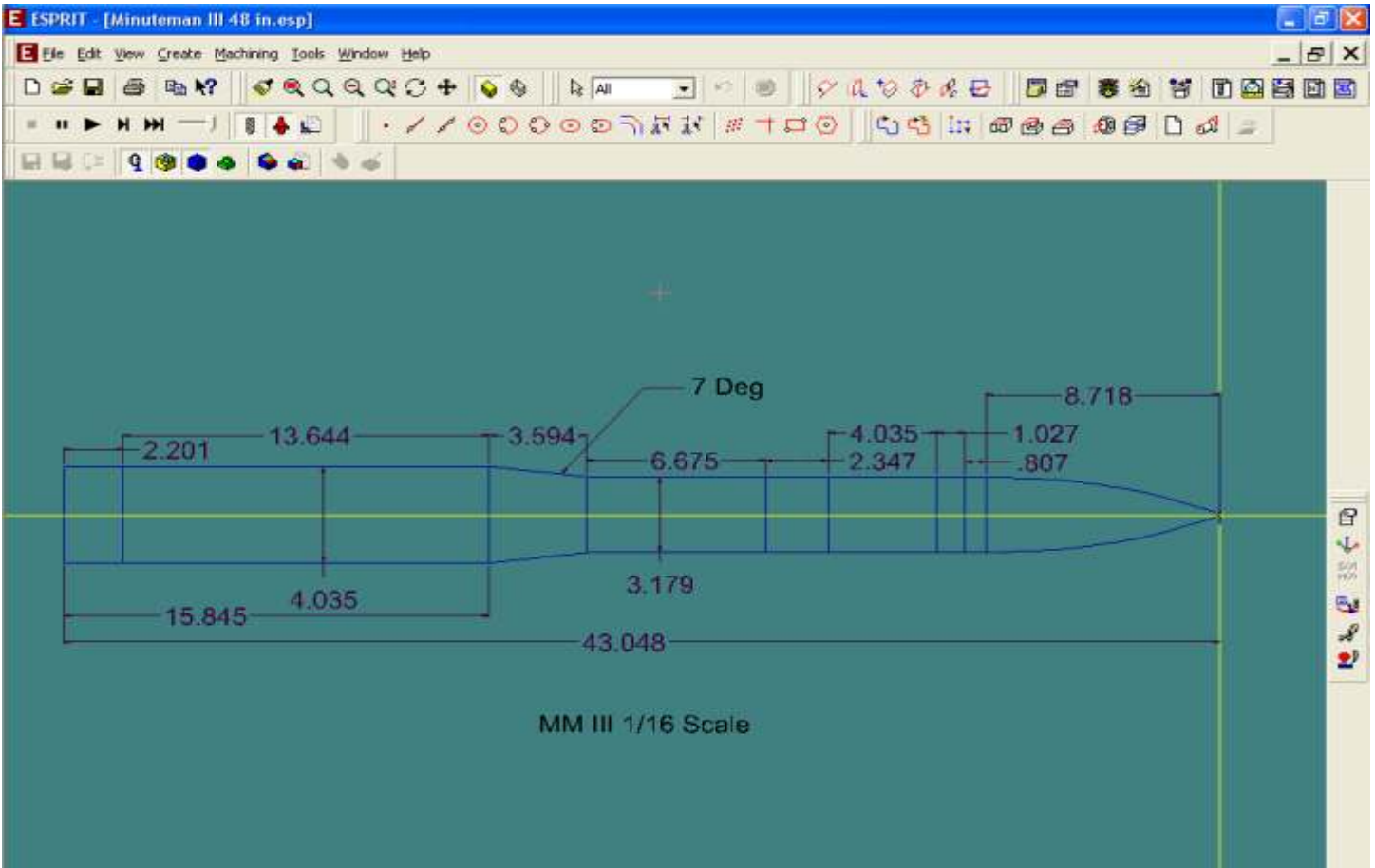
LINKMAN
ENGINEERING

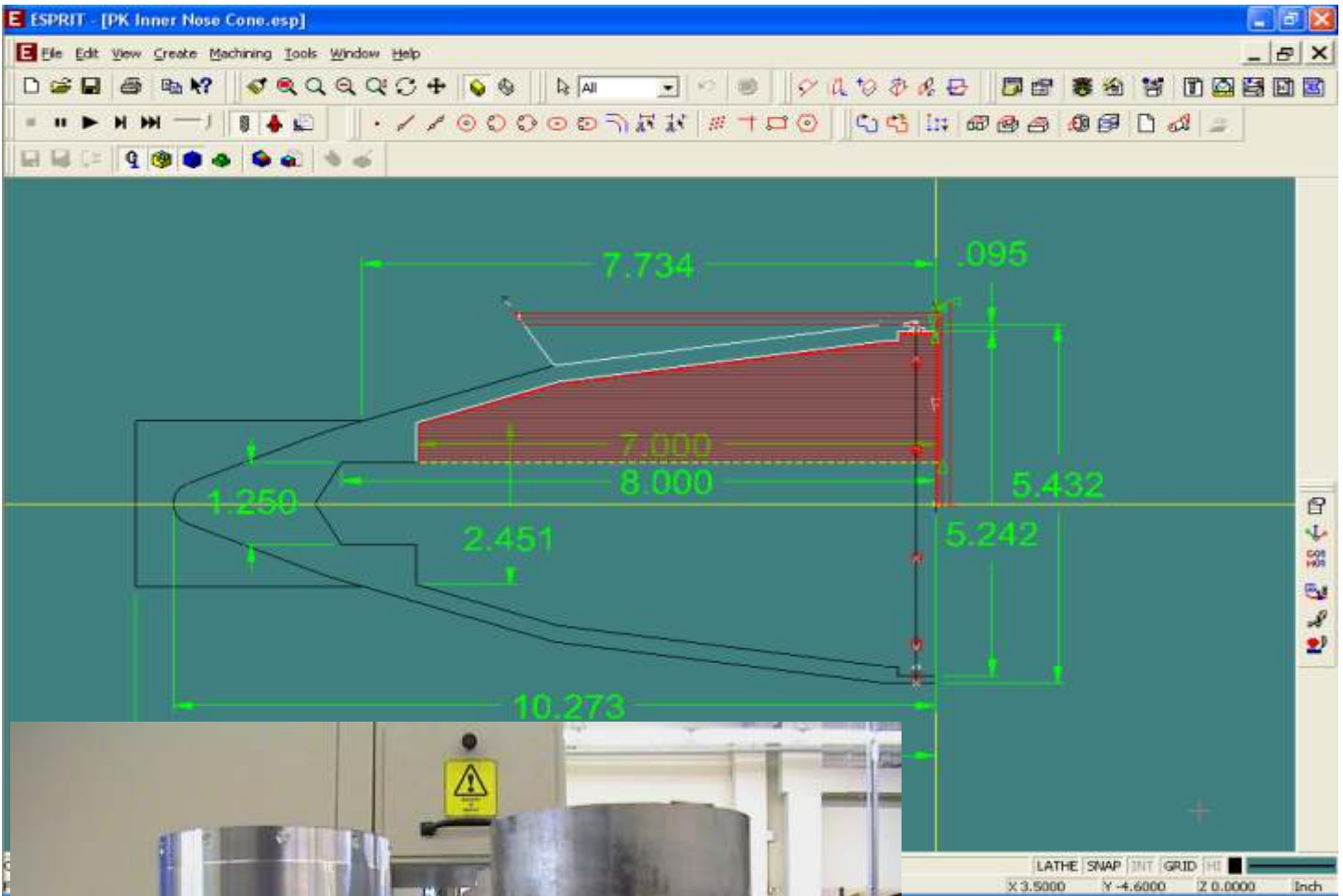
Portfolio

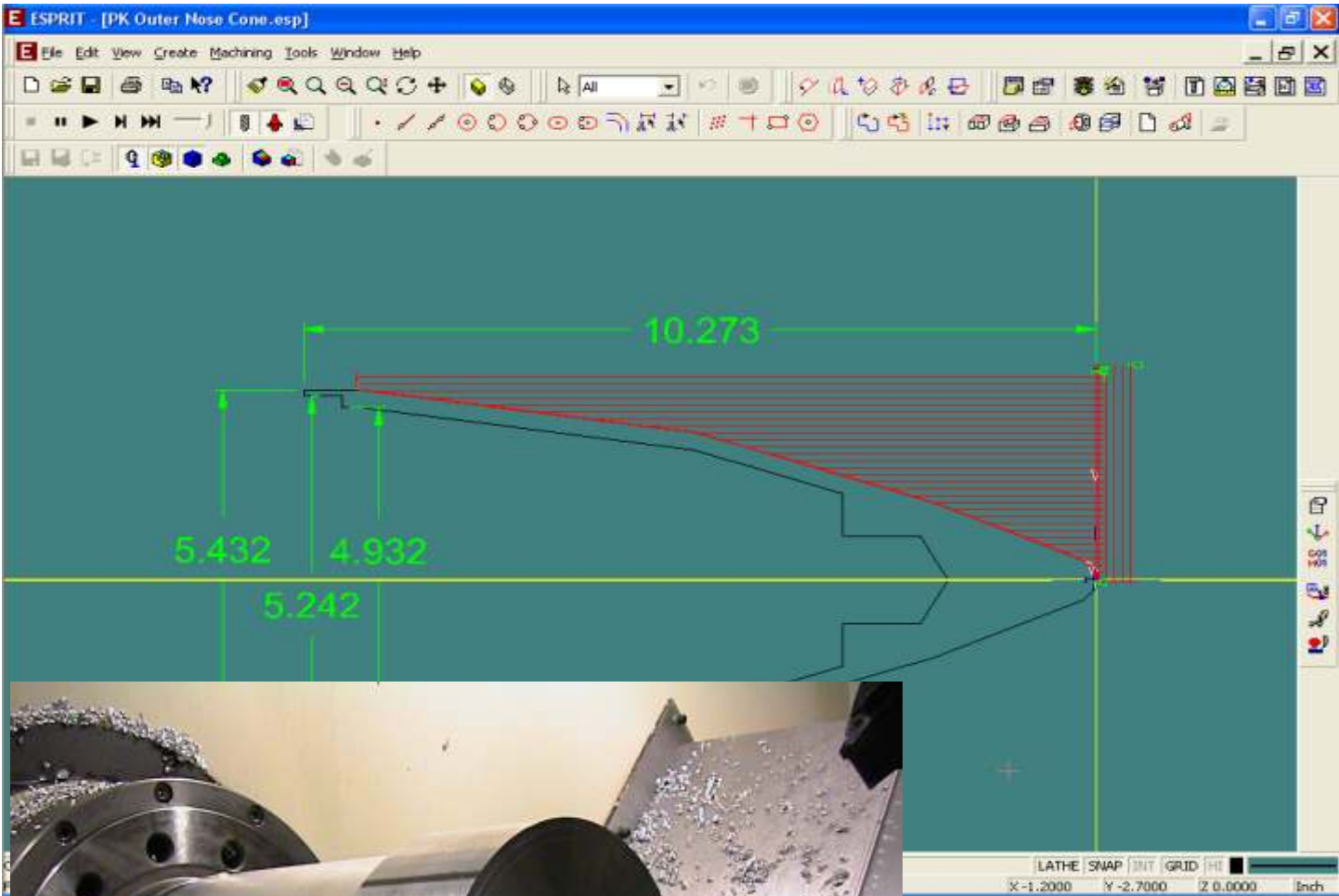
The logo for LINKMAN ENGINEERING is rendered in a 3D, metallic gold font. The word "LINKMAN" is positioned above "ENGINEERING". To the left of the text, there is a stylized graphic element consisting of several horizontal and vertical lines of varying lengths, resembling a circuit board or a mechanical component. The entire logo is set against a dark, textured background that looks like a rough, stone-like surface.

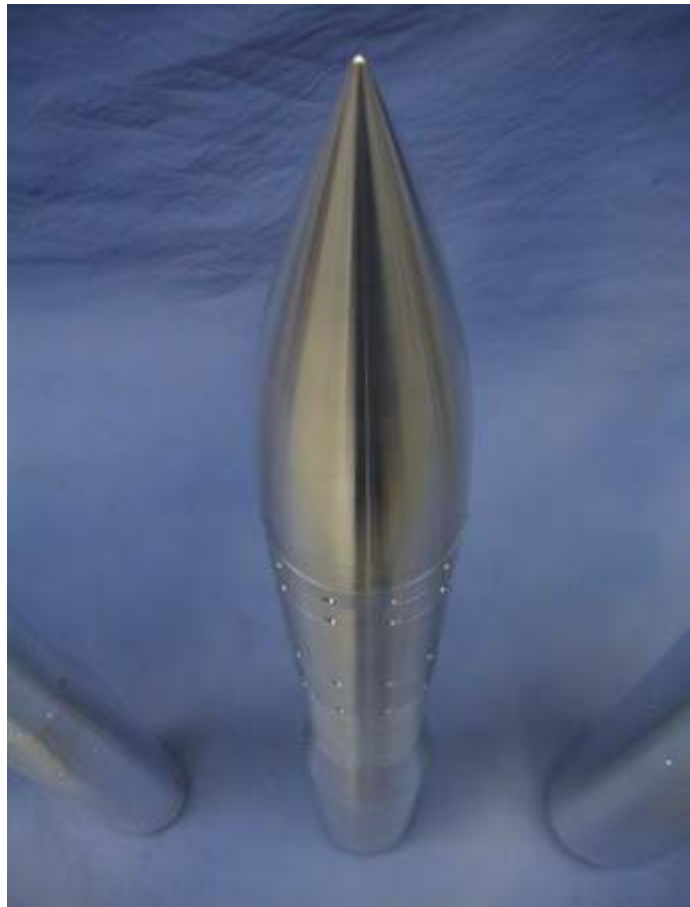
LINKMAN
ENGINEERING

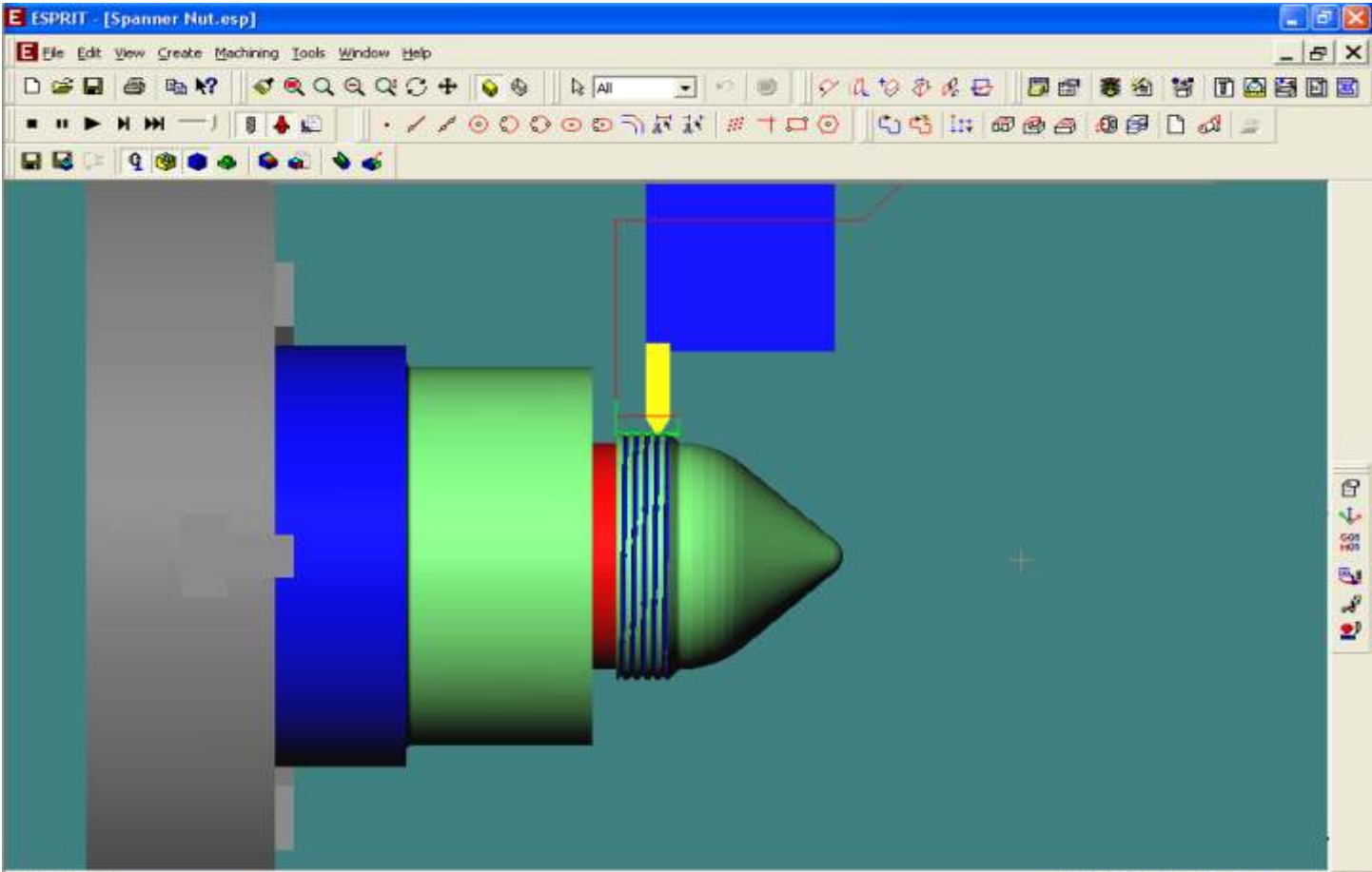
Lathe







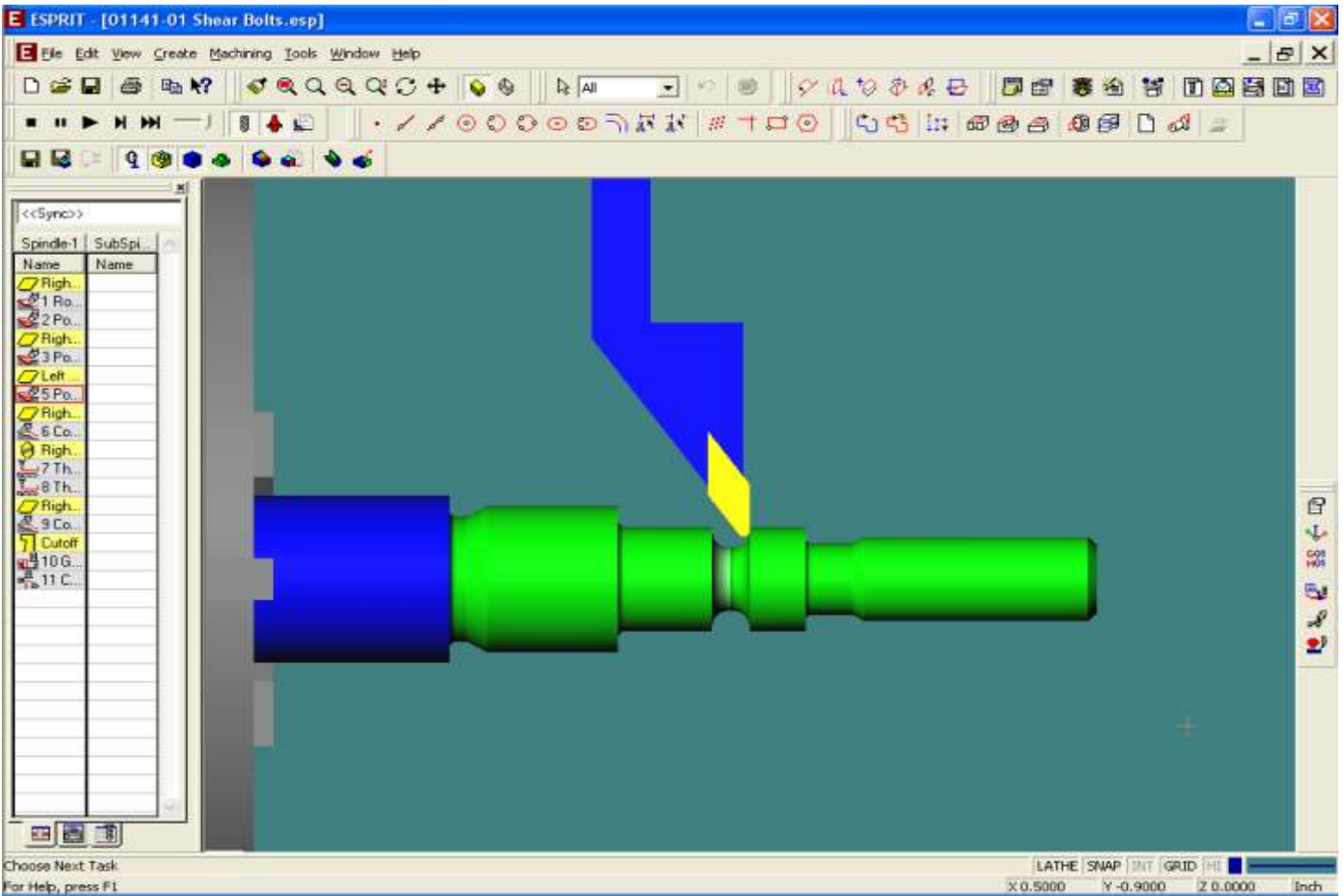




Choose Next Task
For Help, press F1

LATHE | SNAP | UNIT | GRID | HI |
X 0.9000 Y 0.0000 Z 0.0000 Inch





Choose Next Task
For Help, press F1

LATHE | SNAP | UNIT | GRID | HI
X 0.5000 Y -0.9000 Z 0.0000 Inch



